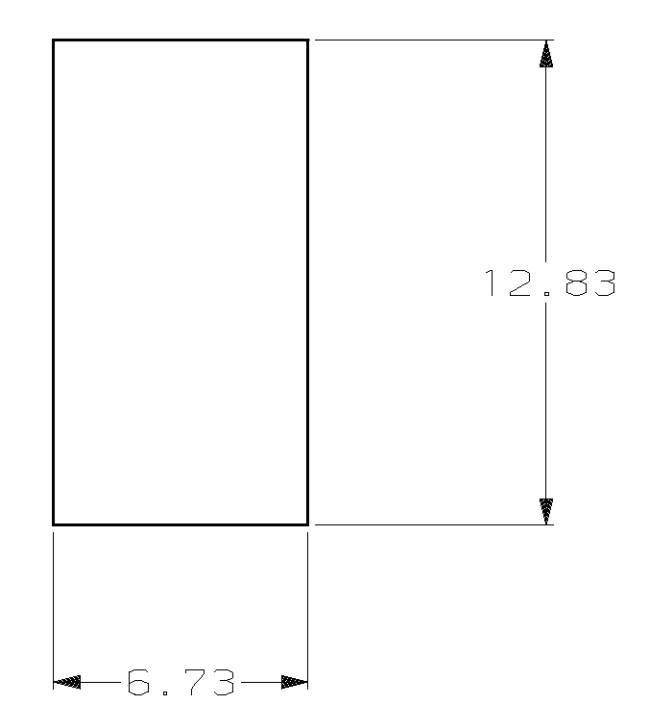
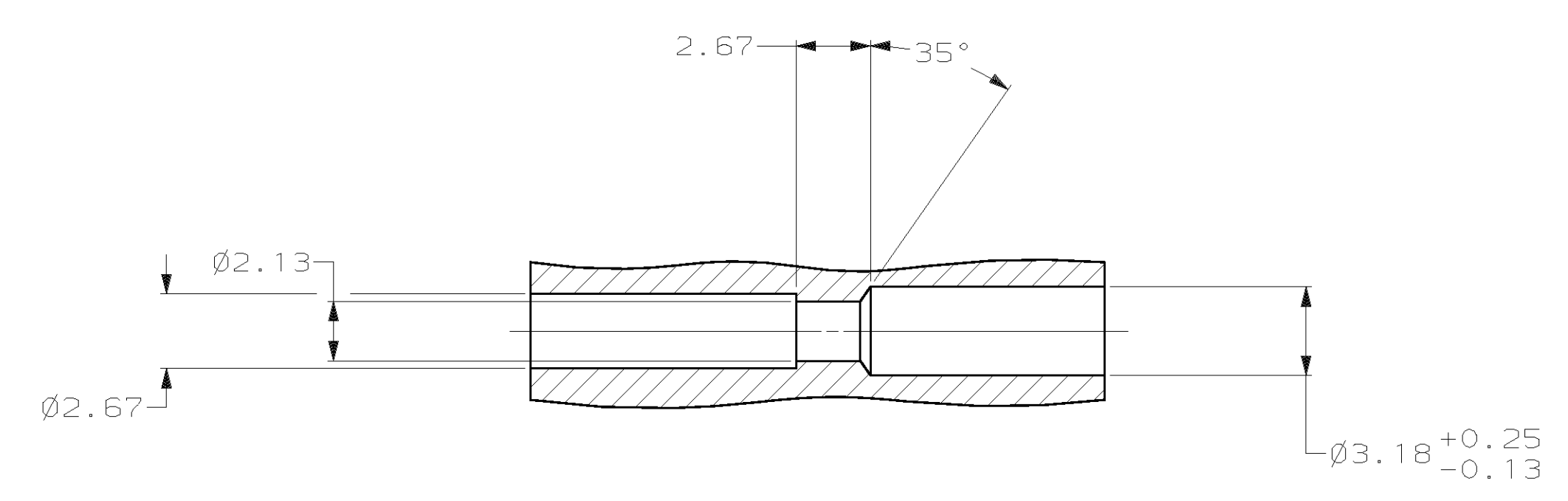
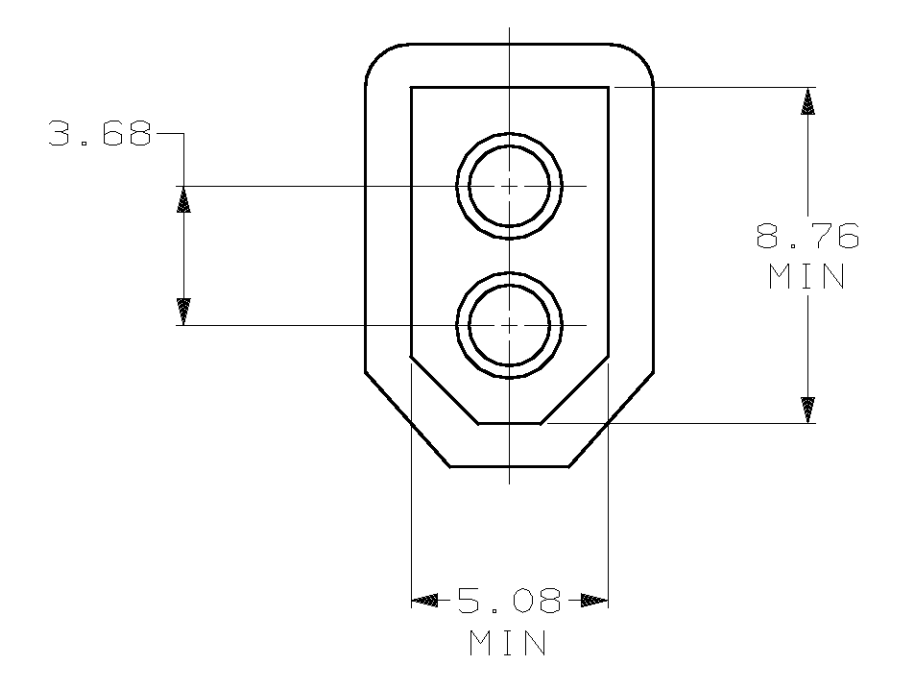
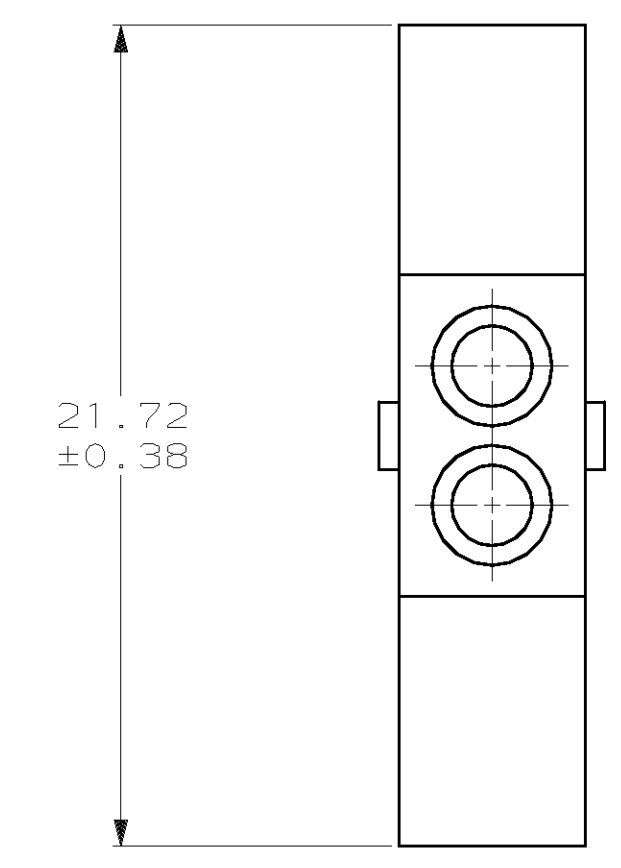
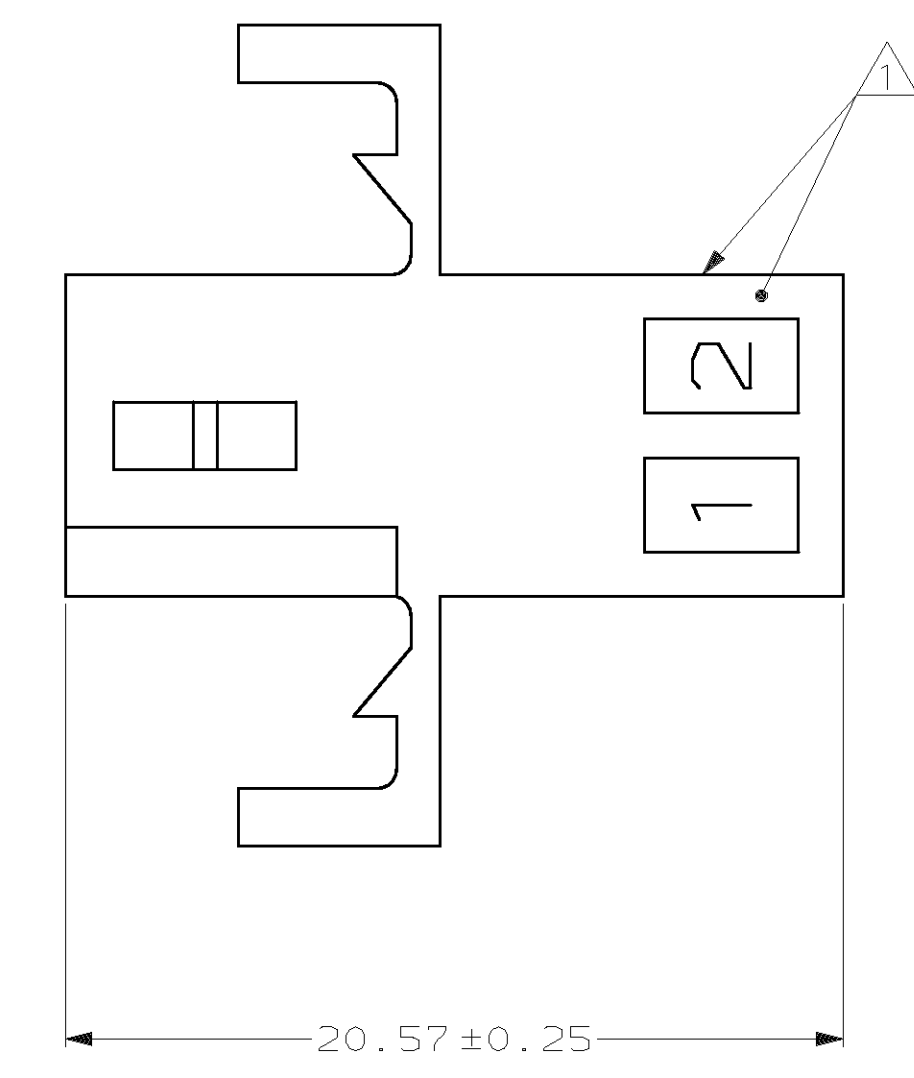
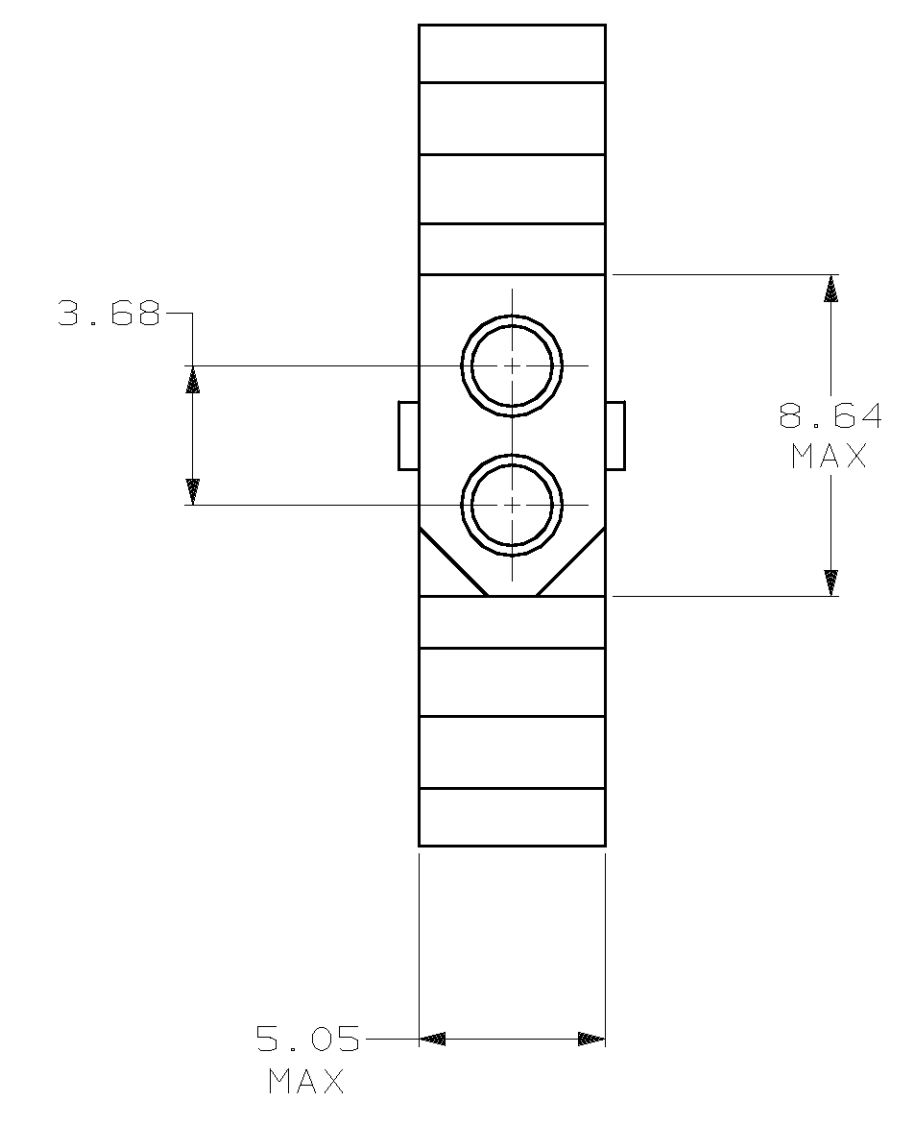


| LOC | DIST | P | F | ZONE | LTR | DESCRIPTION             | DATE   | APPD     |
|-----|------|---|---|------|-----|-------------------------|--------|----------|
| CM  | 53   |   |   |      |     | REV PER EC OL30-0035-97 | 3-7-97 | JH<br>RS |

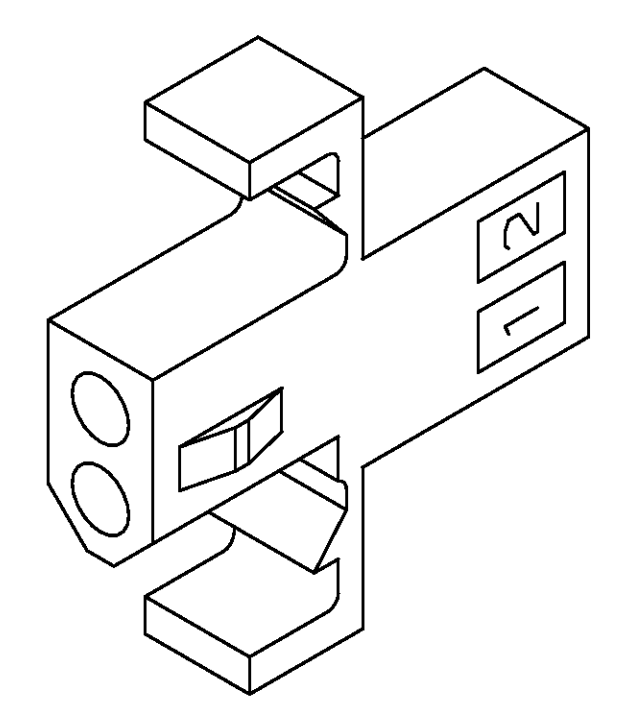
AMP LOGO AND CAVITY NUMBER LOCATED ON EITHER SURFACE.



MATING CONNECTOR INTERFACE

TYPICAL RECEPTACLE CAVITY SECTION (DIMENSIONS REFERENCE ONLY)

RECOMMENDED CUT OUT FOR 1.52 MAX THICK PANEL



3-DIMENSIONAL MODEL NTS

|      |      |      |      |       |      |
|------|------|------|------|-------|------|
| 2.13 | .084 | 6.73 | .265 | -     | -    |
| 1.57 | .062 | 5.08 | .200 | 21.72 | .855 |
| 1.52 | .060 | 5.05 | .199 | 20.57 | .810 |
| 0.38 | .015 | 3.68 | .145 | 12.83 | .505 |
| 0.25 | .010 | 3.18 | .125 | 8.76  | .345 |
| 0.13 | .005 | 2.67 | .105 | 8.64  | .340 |
| MM   | IN   | MM   | IN   | MM    | IN   |

CONVERSION TABLE

**METRIC**

THIS DRAWING IS A CONTROLLED DOCUMENT FOR AMP INCORPORATED. IT IS SUBJECT TO CHANGE AND THE CONTROLLING ENGINEERING ORGANIZATION SHOULD BE CONTACTED FOR THE LATEST REVISION.

| 770343-1   |  | PART NO                |                 |
|--|--|------------------------|-----------------|
| DO NOT SCALE PRINT. UNLESS SPECIFIED DIMENSIONS IN mm (INCHES) |  | DR 11-4-93 K. WHITAKER |                 |
| TOLERANCES ON:   |  | CHK 11-4-93 R. SWING   |                 |
| 2 PLC DEC ± 0.13   |  | APPD 11-4-93 C. CASH   |                 |
| 3 PLC DEC ± -  |  | APPD 11-4-93 C. CASH   |                 |
| ANGLES ± 1°0'  |  | PRODUCT SPEC -         |                 |
| MATERIAL NYLON, UL 94V-2 NATURAL                               |  | APPLICATION SPEC -     |                 |
| FINISH -   |  | WEIGHT -               |                 |
| NAME RECEPTACLE, PANEL MOUNT, 2 CIRCUIT, .062 PIN AND SOCKET   |  | SIZE D                 | CAGE CODE 00779 |
|  |  | DRAWING NO C-770343    |                 |
|  |  | SCALE 5:1              | SHEET 1 OF 1    |

**AMP** AMP Incorporated  
Harrisburg, PA 17105-3608

RECEPTACLE, PANEL MOUNT,  
2 CIRCUIT, .062 PIN AND SOCKET

SIZE D CAGE CODE 00779 DRAWING NO C-770343  
SCALE 5:1 SHEET 1 OF 1

CUSTOMER DRAWING